



SÉRIE **CGB**



SÉRIE **CGB-KE**

I-shaped
extruded legs



Chain rack



CGB & CGB-KE Cab Guards

- I-shaped extruded legs
- Diamond aluminum plate wall
- Various design possibilities available
- Options:
 - Chain rack with cover
 - Chain tray
 - Jail bar window
 - Inclined toolbox
 - Mounting brackets
- 1 year warranty against any manufacturing defects*
- Meet D.O.T. 49 CFR 393-106

** Some restrictions apply*

Standard
Cab Guards



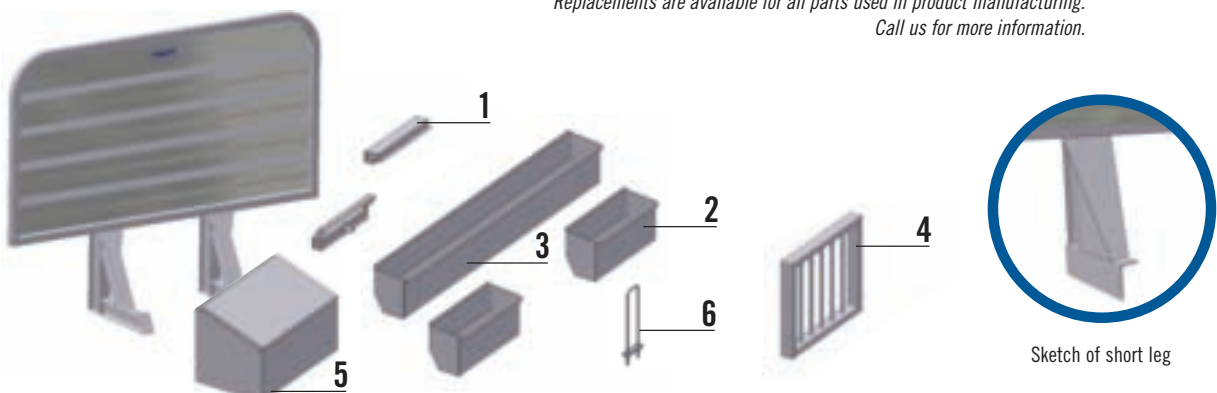
Descriptions and Options

Cab Guard

Description	Product code	Dimensions (in.)		Weight (lb.)
		H	L	
Basic cab guards	CGB6870	68	70	122
	CGB6876	68	76	125
	CGB6886	68	86	130
	CGB7486	74	86	153
Basic short foot cab guard	CGBS6870	68	70	122
	CGBS6876	68	76	125
	CGBS6886	68	86	130
	CGBS7486	74	86	153
Basic cab guards with full set of chain rack and trays	CGB6870-KE	68	70	148
	CGB6876-KE	68	76	155
	CGB6886-KE	68	86	160
	CGB7486-KE	74	86	183
Basic short foot cab guard with full set of chain rack and trays	CGBS6870-KE	68	70	148
	CGBS6876-KE	68	76	155
	CGBS6886-KE	68	86	160
	CGBS7486-KE	74	86	183

Options	(See sketch)	Product code	Dimensions (in.)			Weight (lb.)
			H	D	L	
Chain rack with cover	1	SC20	3	1,75	20	6
Chain tray	2	BC19	10	8	19	7
	2	BC24	10	8	24	9
	3	BC66	10	8	66	22
	3	BC72	10	8	72	24
	3	BC82	10	8	82	27
Full set of chain rack and trays						
two SC20 and two BC19		KE70				26
two SC20 and two BC24		KE76				30
two SC20 and two BC24		KE86				30
two SC20 and one BC66		KE70L				34
two SC20 and one BC72		KE76L				36
two SC20 and one BC82		KE86L				39
Jail bar window	4	FB2225	22		25	10
Inclined toolbox	5	CP202424	20	24	24	45
Mounting brackets (set of 4)	6	CF	18	5/8	4	20

Replacements are available for all parts used in product manufacturing.
Call us for more information.





CGA

SERIE

Enclosure Cab guard

- I-shaped extruded legs
- Diamond aluminum plate wall
- Door with Stainless steel continuous hinges and Stainless Steel folding T-handle
- Stainless steel hardware with round head nuts
- Door with automotive grade rubber seal
- Available model:
 - 1 centered door enclosure
 - 2 side door enclosures
 - 3 full door enclosure
- Options:
 - Layout of chain racks and trays
 - Jail bar window
 - Inclined toolbox
 - Mounting bracket
- 1 year warranty against any manufacturing defects*
- Meet D.O.T. 49 CFR 393-106

Fixe shelf for
center enclosure



Chain rack



* Some restrictions apply



Descriptions and Options

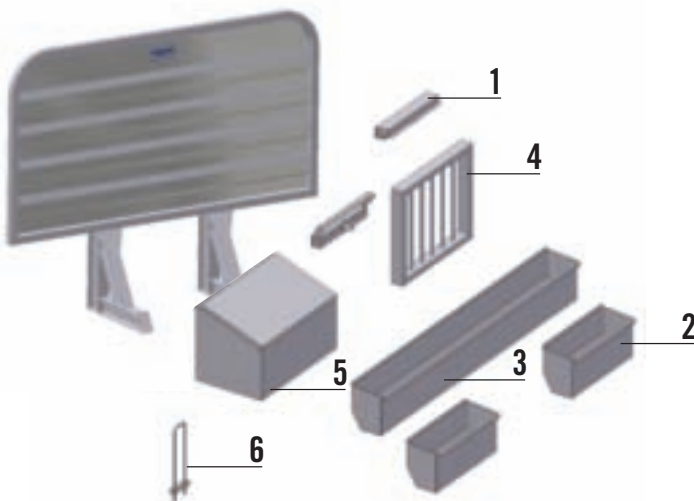
Cab Guard

Cab Guard

Description		Product code	Dimensions (in.)		Weight (lb.)
			H	L	
Enclosure Cab Guard	1 centered door enclosure	CGA6876-1	68	76	180
	1 centered door enclosure	CGA6886-1	68	86	185
	2 side door enclosure	CGA6886-2	68	86	193
	3 door toolbox style	CGA6886-3	68	86	250
Enclosure Cab Guard with short legs	1 centered door enclosure	CGAS6876-1	68	76	180
	1 centered door enclosure	CGAS6886-1	68	86	185
	2 side door enclosure	CGAS6886-2	68	86	193
	3 door toolbox style	CGAS6886-3	68	86	250

Options	(See sketch)	Product code	Dimensions (in.)			Weight (lb.)
			H	D	L	
Chain rack with cover	1	SC20	3	1,75	20	6
Chain tray	2	BC19	10	8	19	7
	2	BC24	10	8	24	9
	3	BC66	10	8	66	22
	3	BC72	10	8	72	24
	3	BC82	10	8	82	27
Full set of chain rack and trays						
two SC20 and two BC24		KE76				30
two SC20 and two BC24		KE86				30
two SC20 and one BC72		KE76L				36
two SC20 and one BC82		KE86L				39
Jail bar window	4	FB2225	22		25	10
Inclined toolbox	5	CP202424	20	24	24	45
Mounting brackets (set of 4)	6	CF	18	5/8	4	20

Replacements are available for all parts used in product manufacturing.
Call us for more information.



Sketch of short leg

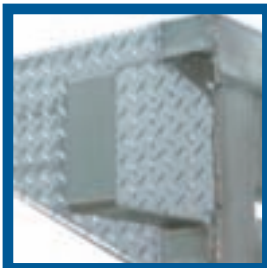


CGW
SERIE

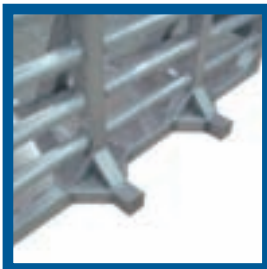
Forester Cab Guard

- Aluminum 6061-T6 square tube 4"
- Round cross member 3 1/2"
- Window in round tube 2 3/8"
- Back up light bracket (4)
- 24" front deck.
- Option:
 - Chain Rack
 - Chain Tray
 - Shovel holder
 - exhaust protector
- 1 year warranty against any manufacturing defects*

Back up light
bracket



Aluminum 6061-T6
square tube 4"



* Some restrictions apply



Descriptions and Options

Forester Cab Guard

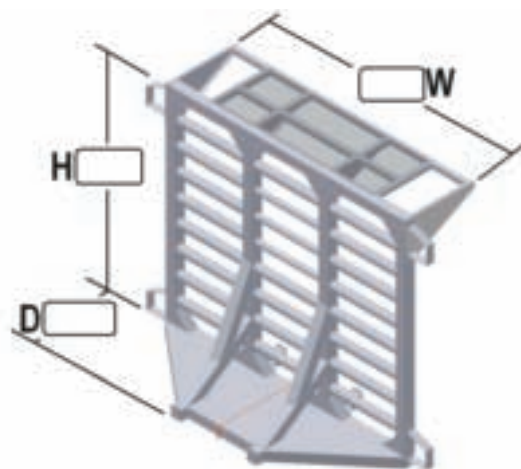
Forestry Cab Guard

Description	Product code	Dimensions (in.)			Weight (lb.)
		H		L	
Forestry cab guard with front deck 24" and back up light bracket (4)	CGW8898	88		98	545

Forestry Cab Guard option

Options	Product code	Dimensions (in.)			Weight (lb.)
		H	D	L	
Chain tray	BC24	10"	8"	24"	20
	BC72	10"	8"	72"	26
	BC82	10"	8"	82"	30
Inclined toolbox	CP202429	20"	24"	24"	45
Mounting brackets (set of 4)	CF-W	18"	3/4"	4,25"	35
Chain rack with cover	SC20	3"	1,75"	20"	6
Exhaust protector CGW	PECWG				

Custom Dimensions



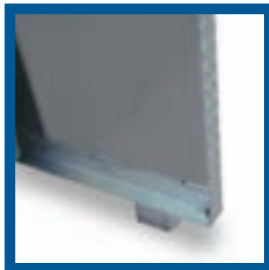


Wall Protection
For Trailer

MPR

SERIE

Aluminum angle 2" X 2"
for stability



Base support in aluminum
rectangular tube 3" X 1 1/2"



Wall Protection

- Base support in rectangular tube 3" X 1 1/2"
- Diamond aluminum plate wall
- Fits on all trailers comes with aluminum pocket
- Aluminum angle 2" X 2" for stability
- 1 year warranty against any manufacturing defects*

** Some restrictions apply*



Descriptions

Wall Protection

Description	Product code	Checker plate finish	Plain finish	Dimensions (po)			Weight (lb.)
				H1	H2	W	
Wall protection for trailer	MPR4888	-100	-125P	48	88	88	84
	MPR4896	-100	-125P	48	96	96	90

Custom Dimensions

