



Standard
Toolboxes

DPX

SERIE

Aluminum
cam-type lock



Aluminum
lock handle



Stainless steel
strap hinge



Automotive grade
door seal



Integrated Rain
Gutter (IRG) construction

DPX Toolbox

- Plain or diamond aluminum in thicknesses of 0.100", 0.125", and 0.1875"
- Integrated Rain Gutter (IRG) construction for greater watertightness and rigidity
- Minimum 1¹/₂" lip to maximize door opening
- One or two doors with automotive grade rubber seal
- Polished stainless steel strap hinge
- Large aluminum cam-type lock (stainless steel optional)
- Stainless steel hardware with round head nuts
- Lifetime warranty against any manufacturing defects*

** Some restrictions apply*



Descriptions and Options

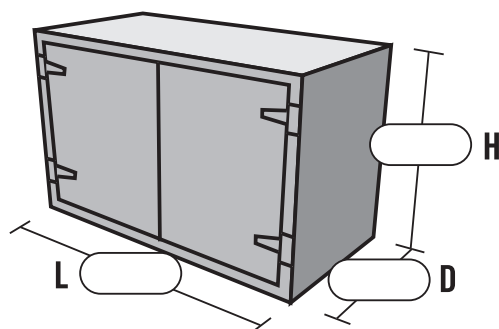
DPX Toolbox

Description	Product code	Checker plate finish	Plain finish	Dimensions (in.)			Weight (lb.)
				H	D	L	
DPX toolbox	DPX181836	-100	-125P	18	18	36	56
	DPX181848	-100	-125P	18	18	48	69
	DPX181860	-100	-125P	18	18	60	81
	DPX182436	-100	-125P	18	24	36	64
	DPX182448	-100	-125P	18	24	48	78
	DPX182460	-100	-125P	18	24	60	92
	DPX182472	-100	-125P	18	24	72	106
	DPX241836	-100	-125P	24	18	36	66
	DPX241848	-100	-125P	24	18	48	80
	DPX241860	-100	-125P	24	18	60	93
	DPX242436	-100	-125P	24	24	36	75
	DPX242448	-100	-125P	24	24	48	90
	DPX242460	-100	-125P	24	24	60	106
	DPX242472	-100	-125P	24	24	72	122
	DPX302436	-100	-125P	30	24	36	85
	DPX302448	-100	-125P	30	24	48	102
	DPX302460	-100	-125P	30	24	60	120
	DPX302472	-100	-125P	30	24	72	137
	DPX362436	-100	-125P	36	24	36	95
	DPX362448	-100	-125P	36	24	48	114
	DPX362460	-100	-125P	36	24	60	133
	DPX362472	-100	-125P	36	24	72	153

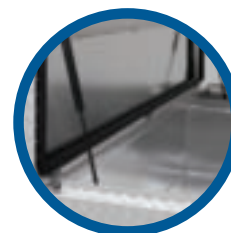
Options	Product code	Dimensions (in.)
Steel mounting bracket	BRXXXX	See options page
Fixed shelf in 1/8" plain aluminum	TCXXXX	See options page
Retaining chain (pair)	CR	
Gas cylinder (pair)	GC	
Drawer	TRXXXX	Custom
Central post	PCXXXX	Upon request
Miscellaneous accessories (hooks, etc.)		Upon request

Replacements are available for all parts used in product manufacturing. Call us for more information.

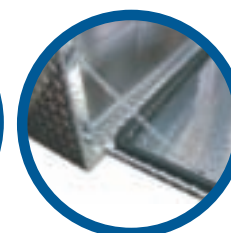
Custom Dimensions



Drawer



Gas cylinder



Retaining chain



NDP

SERIE

Stainless steel
folding T-handle



Stainless steel
strap hinge



NDP Toolbox

- Plain or diamond aluminum in thicknesses of 0.100", 0.125", and 0.1875"
- Integrated Rain Gutter (IRG) construction for greater watertightness and rigidity
- Minimum 1 1/2" lip to maximize door opening
- Two doors with automotive grade rubber seal
- Polished stainless steel strap hinges
- Two polished stainless steel folding T-handles with key locking and dust cover
- Stainless steel hardware with round head nuts
- Lifetime warranty against any manufacturing defects*



Automotive grade
door seal



Integrated Rain
Gutter (IRG) construction

* Some restrictions apply



Descriptions and Options

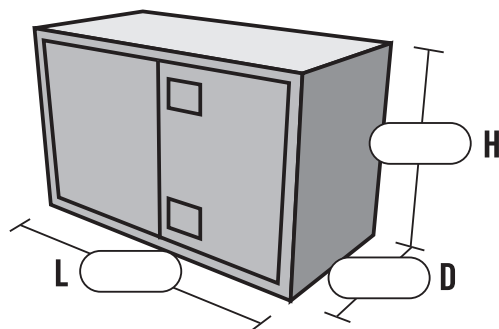
NDP Toolbox

Description	Product code	Checker plate finish	Plain finish	Dimensions (in.)			Weight (lb.)
				H	D	L	
NDP toolbox	NDP181836	-100	-125P	18	18	36	54
	NDP181848	-100	-125P	18	18	48	66
	NDP181860	-100	-125P	18	18	60	78
	NDP182436	-100	-125P	18	24	36	62
	NDP182448	-100	-125P	18	24	48	76
	NDP182460	-100	-125P	18	24	60	90
	NDP182472	-100	-125P	18	24	72	104
	NDP241836	-100	-125P	24	18	36	64
	NDP241848	-100	-125P	24	18	48	78
	NDP241860	-100	-125P	24	18	60	92
	NDP242436	-100	-125P	24	24	36	73
	NDP242448	-100	-125P	24	24	48	89
	NDP242460	-100	-125P	24	24	60	105
	NDP242472	-100	-125P	24	24	72	120
	NDP302436	-100	-125P	30	24	36	84
	NDP302448	-100	-125P	30	24	48	102
	NDP302460	-100	-125P	30	24	60	119
	NDP302472	-100	-125P	30	24	72	137
	NDP362436	-100	-125P	36	24	36	96
	NDP362448	-100	-125P	36	24	48	115
	NDP362460	-100	-125P	36	24	60	134
	NDP362472	-100	-125P	36	24	72	153

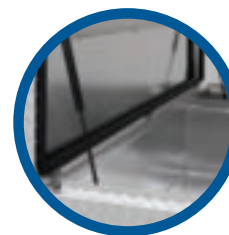
Options	Product code	Dimensions (in.)
Steel mounting bracket	BRXXXX	See options page
Fixed shelf in 1/8" plain aluminum	TCXXXX	See options page
Retaining chain (pair)	CR	
Gas cylinder (pair)	GC	
Drawer	TRXXXX	Custom
Central post	PCXXXX	Upon request
Miscellaneous accessories (hooks, etc.)		Upon request

Replacements are available for all parts used in product manufacturing. Call us for more information.

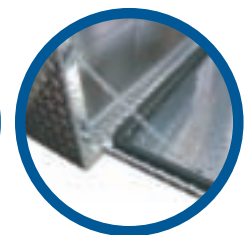
Custom Dimensions



Drawer



Gas cylinder



Retaining chain



NPS

SERIE

Stainless Steel folding
T-handle for NPS toolbox



Stainless steel
strap hinge



NPS Toolbox

- Plain or diamond aluminum in thicknesses of 0.100", 0.125", and 0.1875"
- Integrated Rain Gutter (IRG) construction for greater watertightness and rigidity
- Minimum 1 1/2" lip to maximize door opening
- One door with automotive grade rubber seal and retaining chains
- Polished stainless steel strap hinges
- One or two polished stainless steel folding T-handle with key locking and dust cover
- Stainless steel hardware with round head nuts
- Lifetime warranty against any manufacturing defects*



Automotive grade door seal



Integrated rain gutter (IRG)
construction

* Some restrictions apply



Descriptions and Options

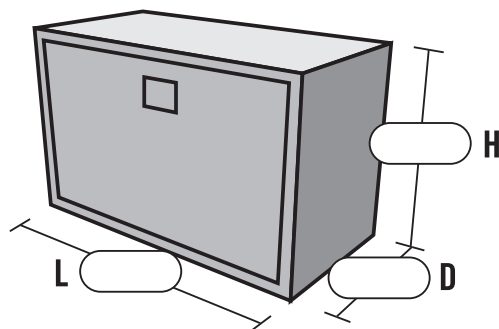
NPS Toolbox

Description	Product code	Checker plate finish	Plain finish	Dimensions (in.)			Weight (lb.)
				H	D	L	
NPS toolbox	NPS181818	-100	-125P	18	18	18	30
	NPS181824	-100	-125P	18	18	24	36
	NPS181830	-100	-125P	18	18	30	42
	NPS181836	-100	-125P	18	18	36	52
	NPS181848	-100	-125P	18	18	48	60
	NPS181860	-100	-125P	18	18	60	71
	NPS182436	-100	-125P	18	24	36	59
	NPS182448	-100	-125P	18	24	48	69
	NPS182460	-100	-125P	18	24	60	82
	NPS182472	-100	-125P	18	24	72	95
	NPS241824	-100	-125P	24	18	24	43
	NPS241830	-100	-125P	24	18	30	49
	NPS241836	-100	-125P	24	18	36	60
	NPS241848	-100	-125P	24	18	48	69
	NPS241860	-100	-125P	24	18	60	82
	NPS241872	-100	-125P	24	18	72	96
	NPS242424	-100	-125P	24	24	24	49
	NPS242430	-100	-125P	24	24	30	57
	NPS242436	-100	-125P	24	24	36	68
	NPS242448	-100	-125P	24	24	48	79
	NPS242460	-100	-125P	24	24	60	94
	NPS242472	-100	-125P	24	24	72	109

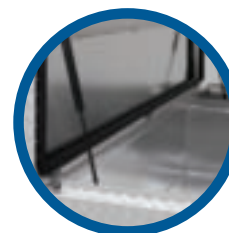
Options	Product code	Dimensions (in.)
Steel mounting bracket	BRXXXX	See options page
Fixed shelf in 1/8" plain aluminum	TCXXXX	See options page
Retaining chain (pair)	CR	
Gas cylinder (pair)	GC	
Drawer	TRXXXX	Custom
Central post	PCXXXX	Sur demande
Miscellaneous accessories (hooks, etc.)		Upon request

Replacements are available for all parts used in product manufacturing. Call us for more information.

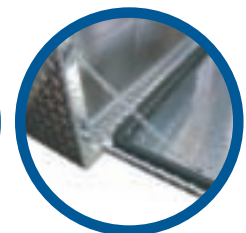
Custom Dimensions



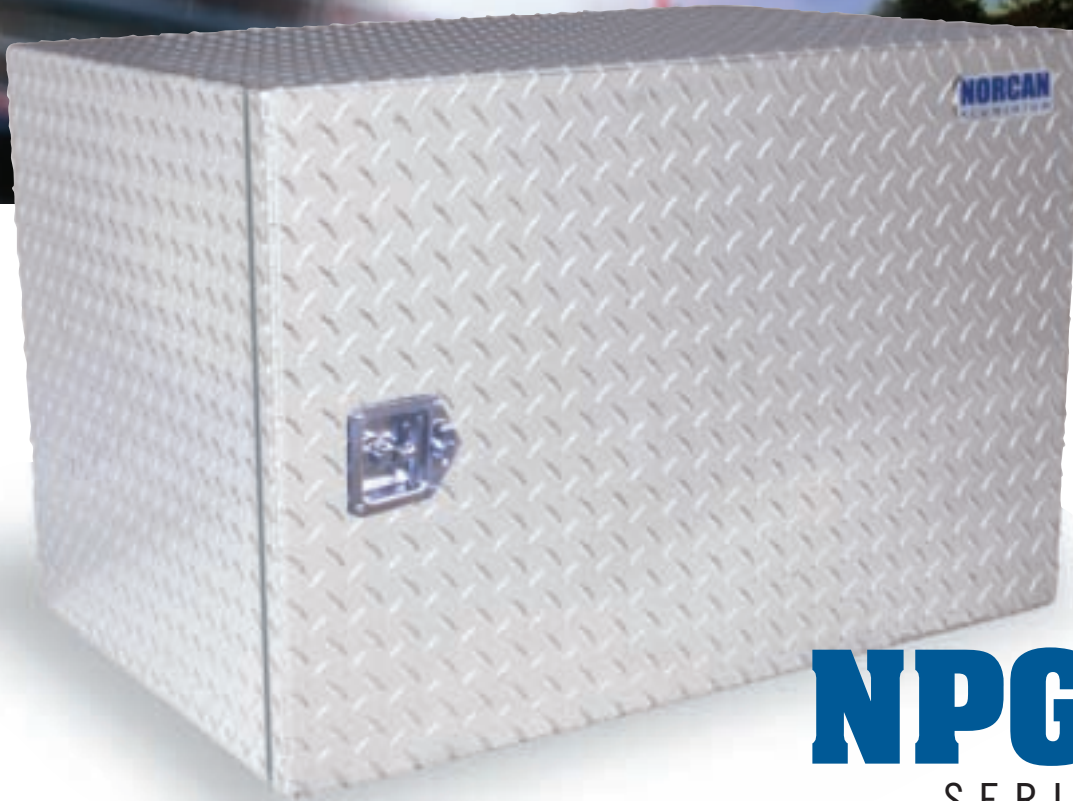
Drawer



Gas cylinder



Retaining chain



NPG

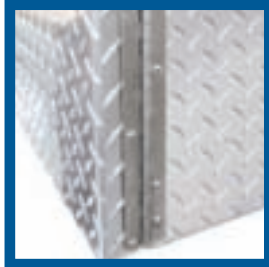
SERIE

Standard
Toolboxes

Stainless Steel
folding T-handle



Stainless steel
continuous hinges



NPG Toolbox

- Plain or diamond aluminum in thicknesses of 0.100", 0.125", and 0.1875"
- Minimum 2" lip to maximize door opening
- One door with automotive grade rubber seal
- Stainless steel continuous hinges
- One polished stainless steel folding T-handle with key locking and dust cover
- Stainless steel hardware with round head nuts
- 1 year warranty against any manufacturing defects*

** Some restrictions apply*



Descriptions and Options

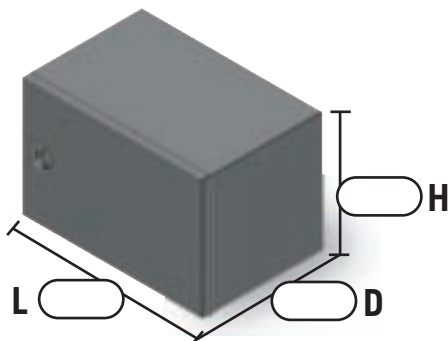
NPG Toolbox

Description	Product code	Checker plate finish	Plain finish	Dimensions (in.)			Weight (lb.)
				H	D	L	
NPG toolbox	NPG181818	-100	-125P	18	18	18	30
	NPG181824	-100	-125P	18	18	24	36
	NPG181830	-100	-125P	18	18	30	42
	NPG181836	-100	-125P	18	18	36	52
	NPG181848	-100	-125P	18	18	48	60
	NPG181860	-100	-125P	18	18	60	71
	NPG182436	-100	-125P	18	24	36	59
	NPG182448	-100	-125P	18	24	48	69
	NPG182460	-100	-125P	18	24	60	82
	NPG182472	-100	-125P	18	24	72	95
	NPG241824	-100	-125P	24	18	24	43
	NPG241830	-100	-125P	24	18	30	49
	NPG241836	-100	-125P	24	18	36	60
	NPG241848	-100	-125P	24	18	48	69
	NPG241860	-100	-125P	24	18	60	82
	NPG241872	-100	-125P	24	18	72	96
	NPG242424	-100	-125P	24	24	24	49
	NPG242430	-100	-125P	24	24	30	57
	NPG242436	-100	-125P	24	24	36	68
	NPG242448	-100	-125P	24	24	48	79
	NPG242460	-100	-125P	24	24	60	94
	NPG242472	-100	-125P	24	24	72	109

Options	Product code	Dimensions (in.)
Steel mounting bracket	BRXXXX	See options page
Fixed shelf in 1/8" plain aluminum	TCXXXX	See options page
Retaining chain (pair)	CR	
Gas cylinder (pair)	GC	
Drawer	TRXXXX	Custom
Miscellaneous accessories (hooks, etc.)		Upon request

Replacements are available for all parts used in product manufacturing. Call us for more information.

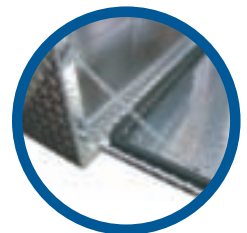
Custom Dimensions



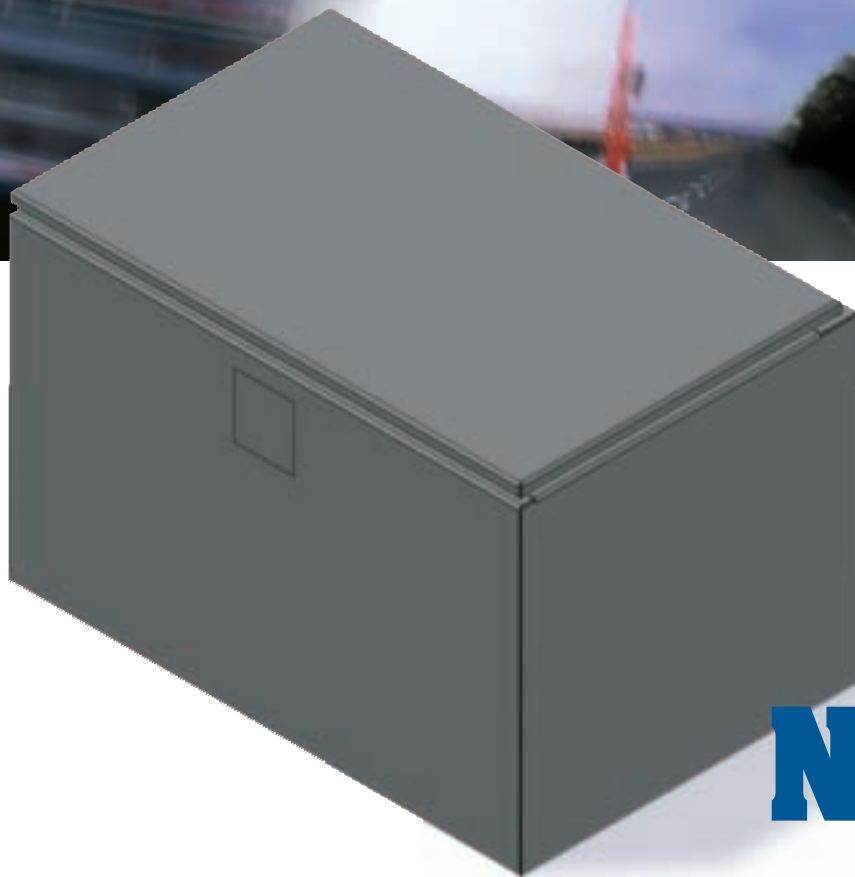
Drawer



Gas cylinder



Retaining chain



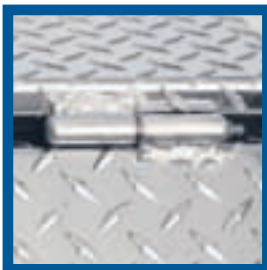
NDE

SERIE

Polished stainless steel
paddle locks with key
locking and dust cover



Aluminum weld-on hinges
with fixed stainless steel pin



NDE Toolbox

- Toolbox with top-mounted door
- Plain or diamond aluminum in thicknesses of 0.100", 0.125", and 0.1875"
- One door with automotive grade rubber seal
- Polished stainless steel paddle locks with key locking and dust cover
- Aluminum weld-on hinges with fixed stainless steel pin
- Door may be opened 90° even if the toolbox is against a wall
- 1 year warranty against any manufacturing defects*

** Some restrictions apply*



Descriptions and Options

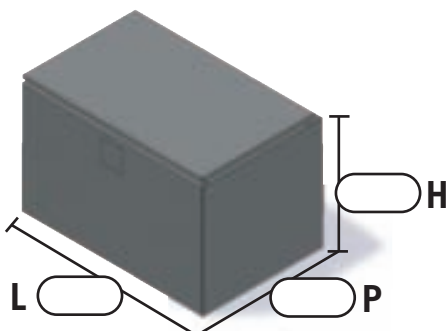
NDE Toolbox

Description	Product code	Checker plate finish	Plain finish	Dimensions (in.)			Weight (lb.)
				H	D	L	
NDE toolbox	NDE181818	-100	-125P	18	18	18	30
	NDE181824	-100	-125P	18	18	24	36
	NDE181830	-100	-125P	18	18	30	42
	NDE181836	-100	-125P	18	18	36	52
	NDE181848	-100	-125P	18	18	48	60
	NDE181860	-100	-125P	18	18	60	71
	NDE182436	-100	-125P	18	24	36	59
	NDE182448	-100	-125P	18	24	48	69
	NDE182460	-100	-125P	18	24	60	82
	NDE182472	-100	-125P	18	24	72	95
	NDE241824	-100	-125P	24	18	24	43
	NDE241830	-100	-125P	24	18	30	49
	NDE241836	-100	-125P	24	18	36	60
	NDE241848	-100	-125P	24	18	48	69
	NDE241860	-100	-125P	24	18	60	82
	NDE241872	-100	-125P	24	18	72	96
	NDE242424	-100	-125P	24	24	24	49
	NDE242430	-100	-125P	24	24	30	57
	NDE242436	-100	-125P	24	24	36	68
	NDE242448	-100	-125P	24	24	48	79
	NDE242460	-100	-125P	24	24	60	94
	NDE242472	-100	-125P	24	24	72	109

Options	Product code	Dimensions (in.)
Steel mounting bracket	BRXXXX	See options page
Fixed shelf in 1/8" plain aluminum	TCXXXX	See options page
Retaining chain (pair)	CR	
Gas cylinder (pair)	GC	
Miscellaneous accessories (hooks, etc.)		Upon request

Replacements are available for all parts used in product manufacturing. Call us for more information.

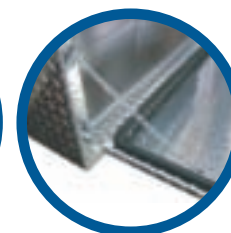
Custom Dimensions



Drawer



Gas cylinder



Retaining chain